

TORQUE HINGE

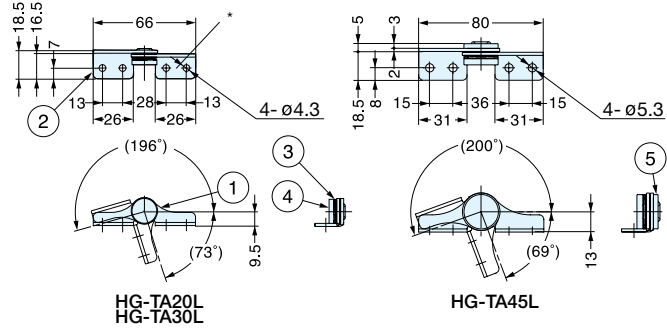


HG-TA



- Free stop hinge with friction torque.
- Consistent torque throughout working range.
- Opening angle 0°~140°

- Applications:
- Ideal for indoor applications.
 - LCD monitors, monitoring cameras, displays etc.



No	Part Name	Material	Finish
①	Hinge A	430 Stainless Steel	Plain
②	Hinge B		
③	Spring Washer	Steel	-
④	Shaft	303 Stainless Steel	-
⑤	Washer	430 Stainless Steel	-

Item No.	Type	Torque per piece (kgf-cm)	Torque per piece (lbs-in)	Weight (g)	Box (pcs)	Carton (pcs)
HG-TA20R	Right hand	20.4 ± 20%	17.7 ± 20%	30	40	320
HG-TA20L	Left hand					
HG-TA30R	Right hand	30.6 ± 20%	26.5 ± 20%			
HG-TA30L	Left hand					
HG-TA45R	Right hand	45.9 ± 20%	39.8 ± 20%	65	20	160
HG-TA45L	Left hand					

TORQUE HINGE

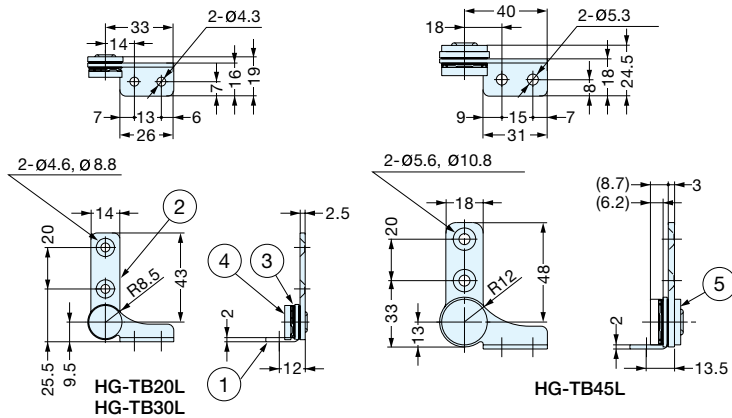
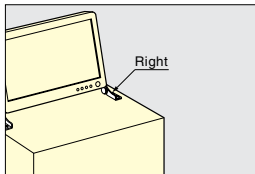


HG-TB



- Free stop hinge with friction torque.
- Consistent torque throughout working range.
- Opening angle 360°

- Applications:
- Ideal for indoor applications.
 - LCD monitors, monitoring cameras, displays etc.



No	Part Name	Material	Finish
①	Hinge A	430 Stainless Steel	Plain
②	Hinge B		
③	Spring Washer	Steel	-
④	Shaft	303 Stainless Steel	-
⑤	Washer	430 Stainless Steel	-

Item No.	Type	Torque per piece (kgf-cm)	Torque per piece (lbs-in)	Weight (g)	Box (pcs)	Carton (pcs)
HG-TB20R	Right hand	20.4 ± 20%	17.7 ± 20%	30	40	320
HG-TB20L	Left hand					
HG-TB30R	Right hand	30.6 ± 20%	26.5 ± 20%			
HG-TB30L	Left hand					
HG-TB45R	Right hand	45.9 ± 20%	39.8 ± 20%	65	20	160
HG-TB45L	Left hand					