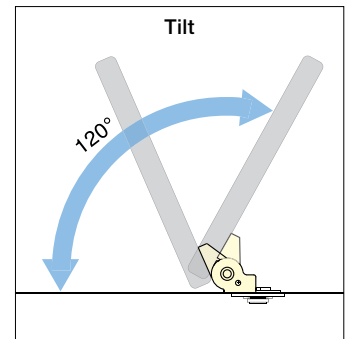
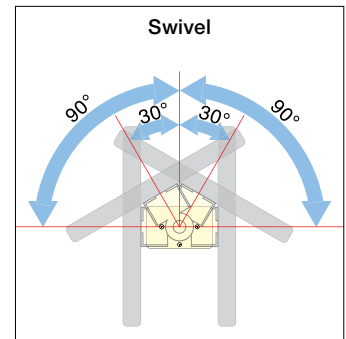
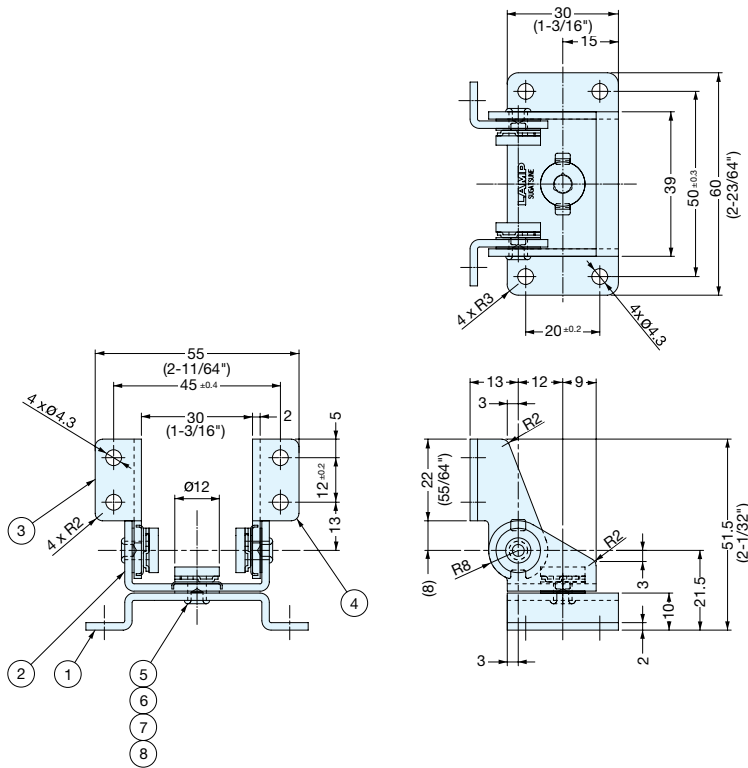


TORQUE HINGE (DUAL AXIS)



HG-T30S15

- Dual Axis: Free stop between 0°~200° (Tilting) and 360° (swiveling).
- Provides torque stability in both directions.
- Suitable for monitor screens.
- Successfully passed 20,000 open/close private cycle tests.



Item No.	Torque per piece (tilting)	Torque per piece (swiveling)
HG-T30S15	26.5 lbs-in ± 20%	13.0 lbs-in ± 20%

No.	Torque Direction	Material	Finish
①	Body	430 Stainless Steel	Polished
②	Base		
③	Bracket		
⑤	Shaft	303 Stainless Steel	-
⑥	Press Washer	Phosphor Bronze	Polished
⑦	Pin		-
⑧	Washer	Steel	-