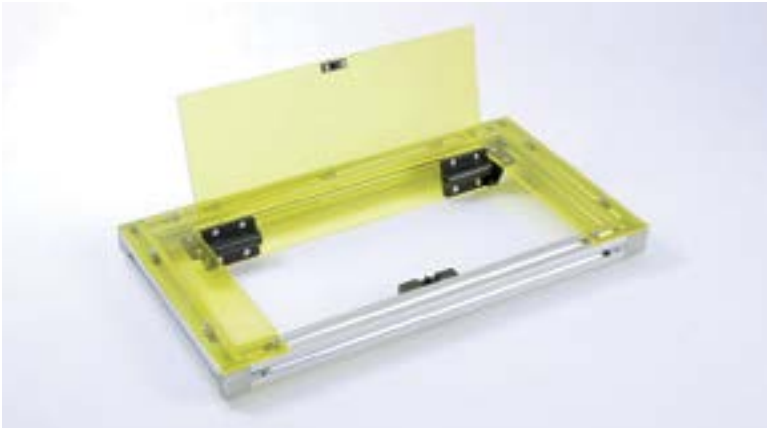


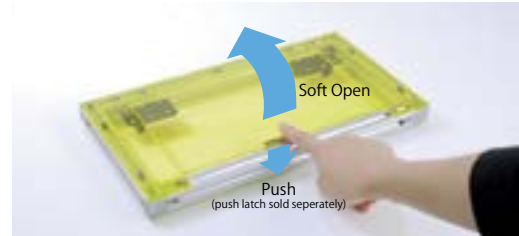
SELF OPENING HINGE



HG-JHS9



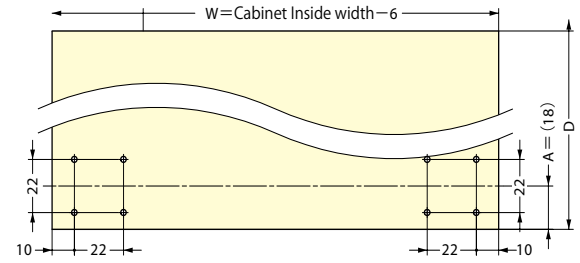
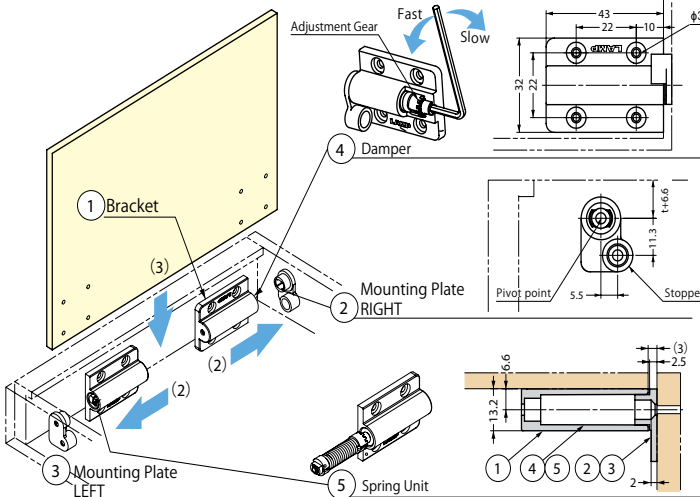
- Self opening hinge, push latch sold separately.
- Built in damper for soft opening.
- Ideal for small size lid.
- Sold in pairs.
- For inset applications.
- Operating temperature: 0-40°C (32-104°F)
- Opening angle: approx. 105°



Side Mount



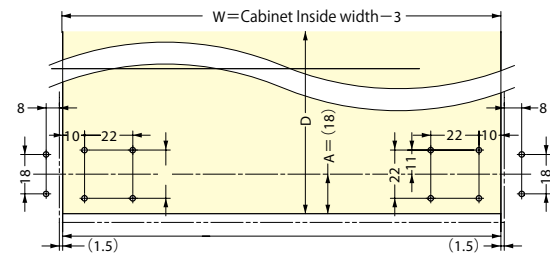
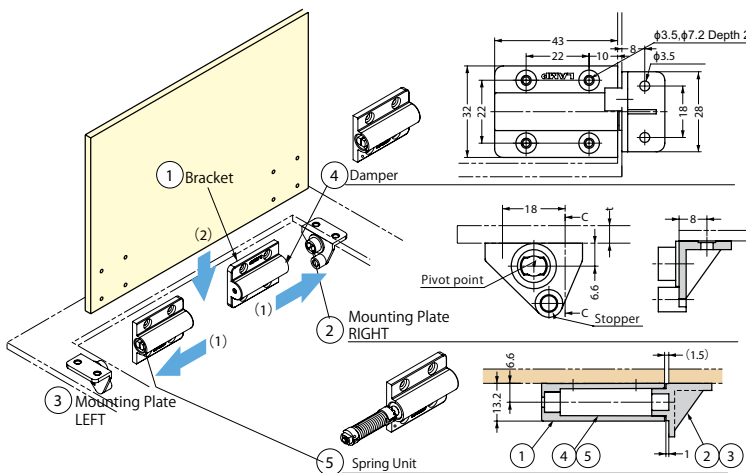
Item No.	Color	Torque per pair (kgf cm)	Box (pairs)	Carton (pairs)
HG-JHS-S-BL	Black	0.28-0.44 (0.24-0.38 lbs in)	40	440
HG-JHS-S-WT	White			



Side Undermount



Item No.	Color	Torque per pair (kgf cm)	Box (pairs)	Carton (pairs)
HG-JHS-U-BL	Black	0.28-0.44 (0.24-0.38 lbs in)	35	385
HG-JHS-U-WT	White			



No.	Part Name	Material	Finish/Color
①	Bracket	Polyacetal	Black/White
②	Mounting Plate, Right	PBT	
③	Mounting Plate, Left	PBT	
④	Damper, Right	Polyacetal	
⑤	Spring Unit, Left	Zinc alloy, stainless	chromate coating