

TWIN WHEEL CASTER (PLATE TYPE)



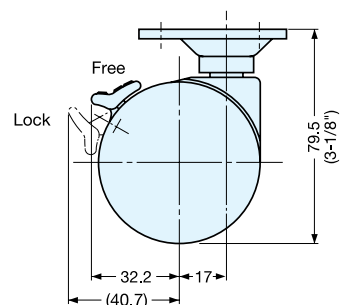
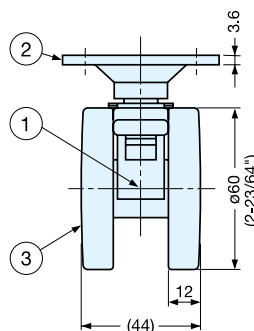
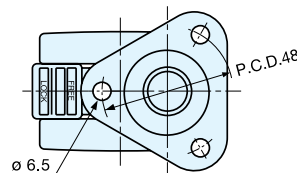
GX-60-PS, P

- Heavy duty and low profile.
- Twin wheel caster with excellent stability.



GX-60-P
(w/o Brake)

GX-60-PS
(w/ Brake)



Item No.	Load Capacity (kg)	Weight (g)	Box (pcs)	Carton (pcs)
GX-60-PS	150 (330 lbs)	234	4	60
GX-60-P	150 (330 lbs)	229		

No.	Part Name	Material	Finish
①	Body	Aluminum Alloy	Polished
②	Mounting Plate	Steel	Yellow Zinc Chromate
③	Wheel	Polyamide	Black

TWIN WHEEL CASTER (THREADED BOLT TYPE)



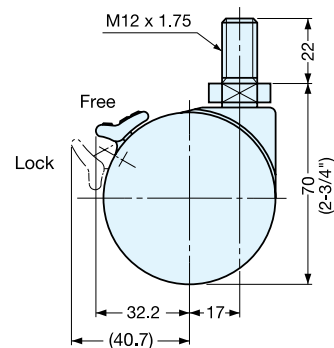
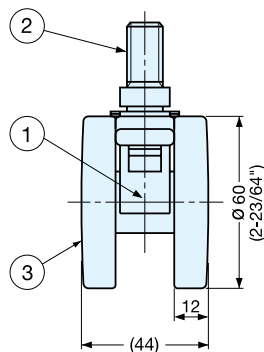
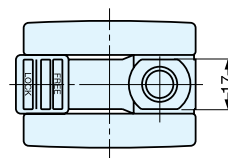
GX-60-N12S, N12

- Heavy duty and low profile.
- Twin wheel caster with excellent stability.



GX-60-N12
(w/o Brake)

GX-60-N12S
(w/ Brake)



Item No.	Load Capacity (kg)	Weight (g)	Box (pcs)	Carton (pcs)
GX-60-N12S	150 (330 lbs)	185	4	60
GX-60-N12	150 (330 lbs)	180		

No.	Part Name	Material	Finish
①	Body	Aluminum Alloy	Polished
②	Threaded Bolt	Steel	Yellow Zinc Chromate
③	Wheel	Polyamide	Black