

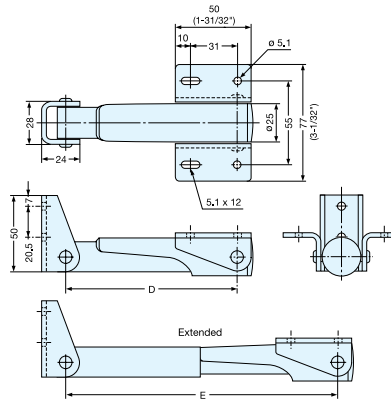
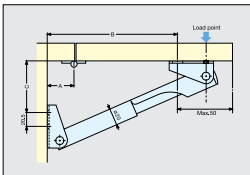
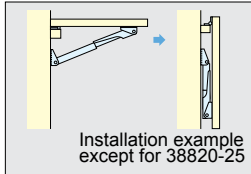
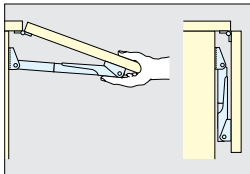
# FOLDING BRACKET



388



- Automatically locks when flap is in opened position.
- Press lever to release the lock.
- For panel thickness 15-35 mm (19/32"-1-3/8")
- Required Quantity:
  - Width up to 600 mm (23-5/8")...1 pc
  - Width 600-1300 mm (23-5/8"-51-3/16")...2 pcs



Material	Finish/Color
Aluminum	Anodized
	Black (BLK)

Item No.	A	B	C	D	E	Load Capacity (kg)	Weight (g)	Box (pcs)	Carton (pcs)
38820-25	25~30	161	15	114.0	180.0	35 ( 77 lbs )	149	5	50
38820-25/BLK									
38830-25	25~39	252	45	168.0	275.9	55 ( 121 lbs )	187	5	30
38830-25/BLK									
38845-25	25~50	402	87	258.5	430.8	60 ( 132 lbs )	266	5	50
38845-25/BLK								5	30
38860-25	25~40	549	137	368.5	585.8	80 ( 176 lbs )	342	5	30
38860-25/BLK								5	50

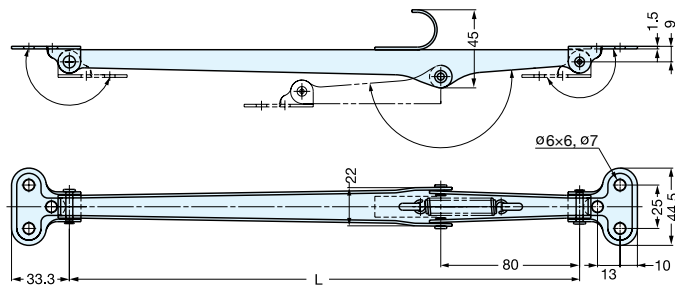
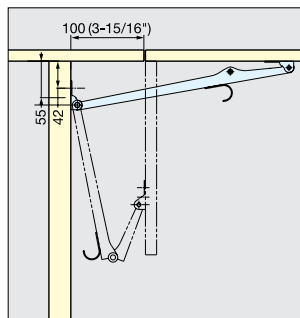
# SPRING LOADED BRACKET



GTS-300



- Spring loaded for lift assist feature.
- Pull the knob to fold down.
- Max. depth of shelf is 450 mm (17-3/4")
- Max. width of shelf is 300 mm (11-13/16")



Material	Finish
304 Stainless Steel	Satin

Item No.	L	Load Capacity (kg)	Weight (g)	Box (pc)	Carton (pcs)
GTS-300	294 (11-37/64")	3 (6.6 lbs)/pc, 6 (13 lbs)/2pcs	190	12	96