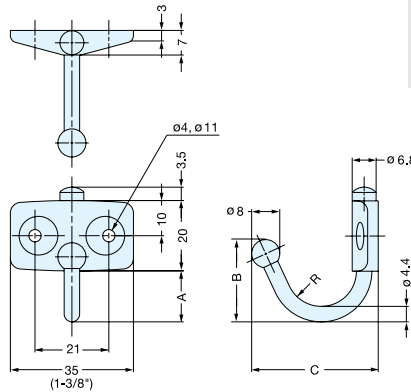


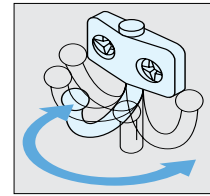
SWING HOOK (W/FRICTION)



TK



- Swivels 180 degrees.
- Hook has constant torque when swiveling.
- Ideal for vibration or shock applications.



Installation

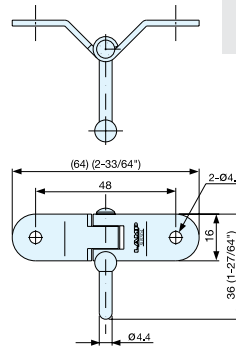
Material	Finish
304 Stainless Steel	Polished

Item No.	A	B	C	R	Load Capacity (kg)	Weight (g)	Box (pcs)	Carton (pcs)
TK-30F	14.5	23.4 (59/64")	36.0 (1-27/64")	10	12 (26 lbs)	17	100	1000
TK-45F	19.4	28.4 (1-1/8")	44.3 (1-3/4")	15	8 (17 lbs)	20		

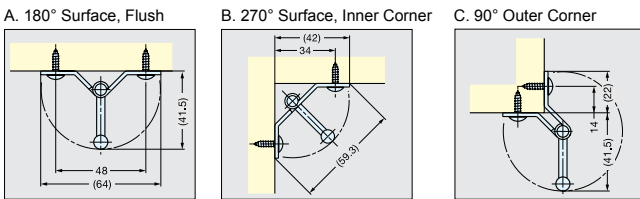
BUTTERFLY HOOK



TZ-360



- Hinged flap allows flush or corner mount.
- Applicable angle: 90°~270°



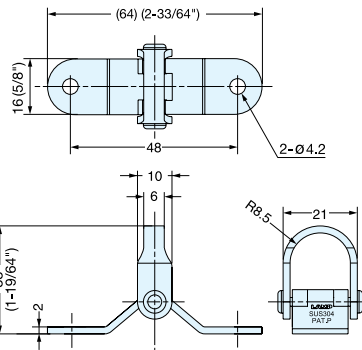
Material	Finish
304 Stainless Steel	Polished

Item No.	Load Capacity A (kg)	Load Capacity B (kg)	Load Capacity C (kg)	Weight (g)	Box (pcs)	Carton (pcs)
TZ-360	6 (13.2 lbs)	5.6 (12.3 lbs)	3 (6.6 lbs)	27	50	500

BUTTERFLY HOOK

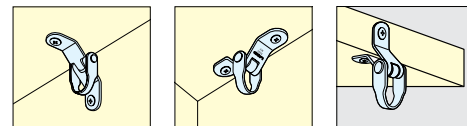


DZ-270



- Eyelet swivels for various installation applications.
- Hinged leaves for flush or corner mount.
- Includes 1/2" (M4 x 12) long screws.

Installation



Material	Finish
304 Stainless Steel	Polished

Item No.	Load Capacity A (270°)		Load Capacity B (180°)		Load Capacity C (90°)		Weight (g)	Box (pcs)	Carton (pcs)
	Horizontal	Vertical	Horizontal	Vertical	Horizontal	Vertical			
DZ-270	5.6 kg (12.3 lbs)	6 kg (13.2 lbs)	6 kg (13.2 lbs)	8 kg (17.6 lbs)	3 kg (6.6 lbs)	8 kg (17.6 lbs)	29	50	500