

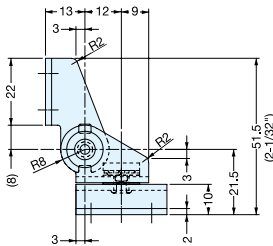
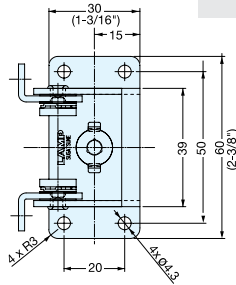
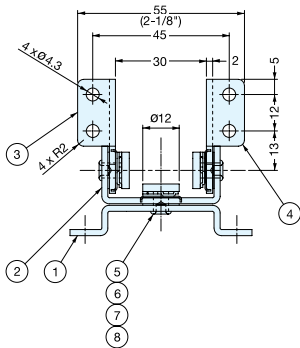
TORQUE HINGE (DUAL AXIS)



HG-T30S15



- Dual Axis: Free stop between 0°~200° (Tilting) and 360° (swiveling).
- Provides torque stability in both directions.
- Suitable for monitor screens.
- Successfully passed 20,000 open/close private cycle tests.



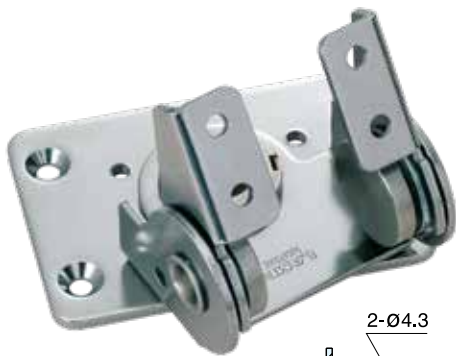
No.	Part Name	Material	Finish
①	Body	430 Stainless Steel	Polished
②	Base		
③	Bracket	303 Stainless Steel	Plain
④			
⑤	Shaft	Phosphor Bronze	Polished
⑥	Press Washer	Steel	Plain
⑦	Pin		-
⑧	Washer		

Item No.	Torque per piece (tilting)	Torque per piece (swiveling)
HG-T30S15	26.5 lbs-in ± 20%	13.0 lbs-in ± 20%

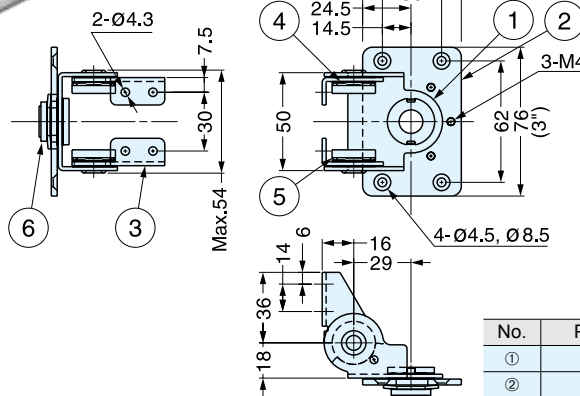
TORQUE HINGE (DUAL AXIS)



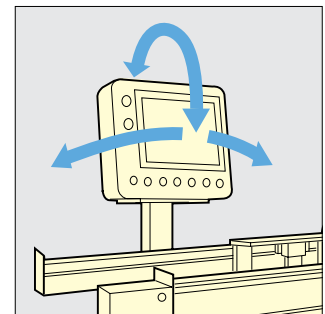
HG-T70S30



- Dual Axis: free stop at any angle in tilt & swivel.
- Provides torque stability in both directions.
- Suitable for monitor screens.



Dual AXIS Torque Hinge



No.	Part Name	Material	Finish
①	Body	430 Stainless Steel	Polished
②	Base		
③	Bracket	Steel/	Plain
④	Spring Washer	Phosphor Bronze	
⑤	Shaft	303 Stainless Steel	
⑥	Washer	430 Stainless Steel	Polished

Item No.	Torque per piece (tilting)	Torque per piece (swiveling)
HG-T70S30	62 lbs-in ±20%	26.6 lbs-in ±20%