

2-WAY ADJUSTABLE PIVOT HINGE



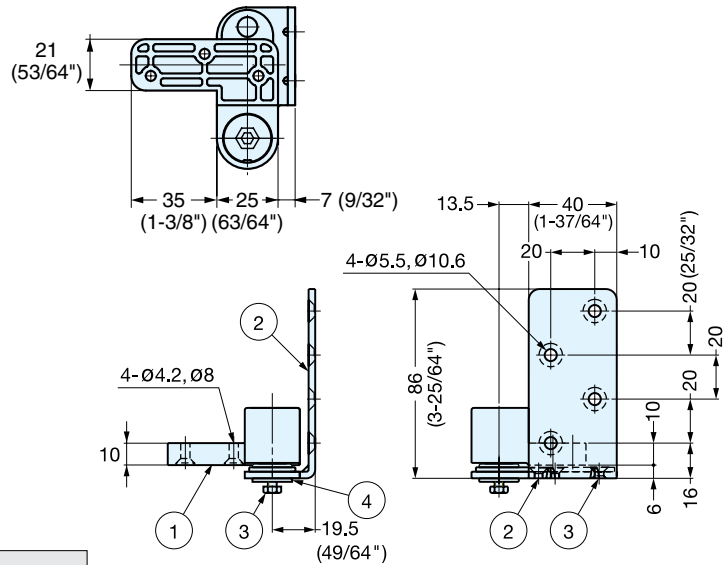
PH-01

HINGES

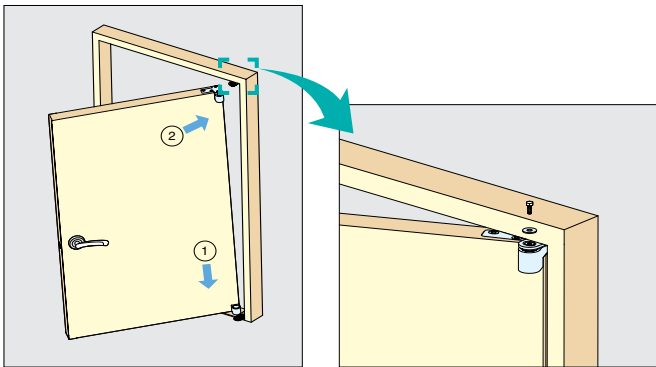
2-WAY ADJUSTABLE PIVOT HINGES



- Vertically and laterally adjustable after installed.
- Sold in pairs (top and bottom), non-handed.
- Supplied with wood screw 4 × 30.
- Separate body and bracket for easy installation.
- Door Height: Max. 2300 mm (90-34/64")
- Door Width: Max. 850 mm (33-15/32")
- Door Weight: Max. 35 kg (77 lbs)/pair
- Door Thickness: 33~42 mm (1-19/64"~1-21/32")

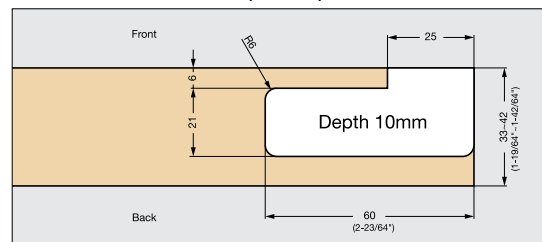


Door Installation

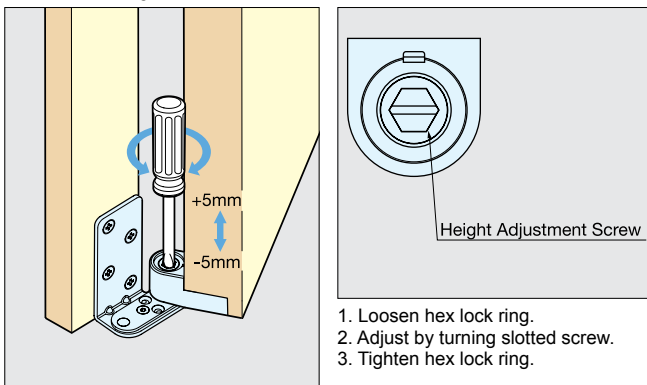


- * Gap between door jamb and handle side of door: 4 mm (Door Thickness 33~42 mm)
- Install hinge bracket to door frame
- Bolt the door on with supplied screw

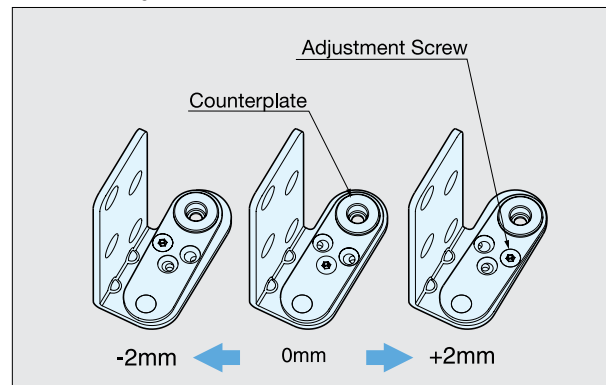
Bore Dimensions (Door)



Vertical Adjustment



Lateral Adjustment



Item No.	Weight (g)	Box (set)	Carton (set)
PH-01	500	1	20

No.	Part Name	Material	Finish/Color
①	Body	Zinc Alloy	Matte Silver
②	Bracket	304 Stainless Steel	Plain
③	Hex Bolt		-
④	Washer		-
⑤	Cap		ABS