

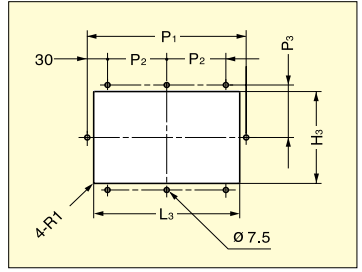
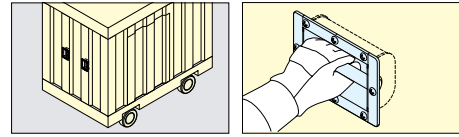
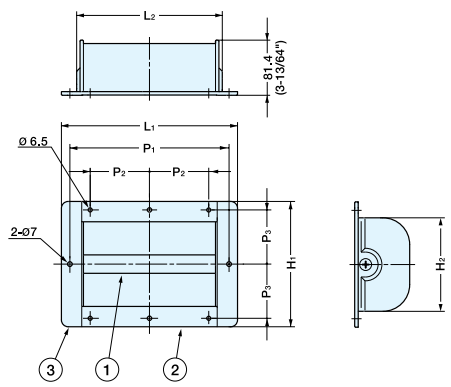
LARGE RECESSED PULL (WITH BAR HANDLE)



HH-M



- Durable 304 stainless steel construction.
- Designed for industrial applications where use of thick gloves are required.
- Handlebar does not protrude out from the face of the handle.
- 2 sizes available.



Item No.	Box (pcs)	Carton (pcs)	No.	Part Name	Material
HH-M200	1	4	①	Bar	304 Stainless Steel
HH-M400	1	2	②	Cup	
			③	End Cover	

Item No.	L ₁	H ₁	H ₂	L ₂	P ₁	P ₂	P ₃	L ₃	H ₃
HH-M200	260 (10-15/64")	(186.3) (7-21/64")	(138.3) (5-29/64")	218 (8-37/64")	235	87.5	80	216 (8-1/2")	140 (5-33/64")
HH-M400	460 (18-7/64")	(186.3) (7-21/64")	(138.3) (5-29/64")	418 (16-29/64")	435	125.0		416 (16-3/8")	

RECESSED PULL

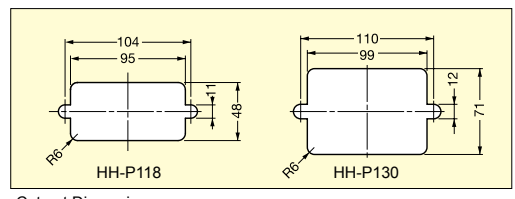
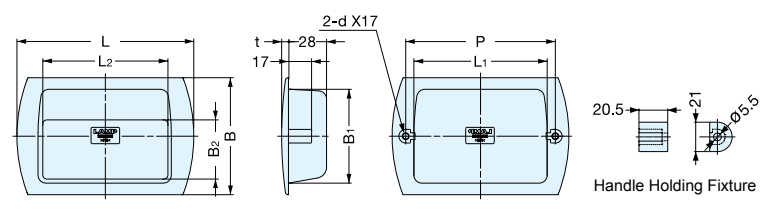
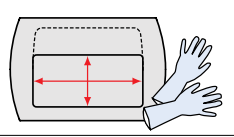


HH-P



- Made with PVC material:
 - Ideal for semiconductor, manufacturing machinery and transparent applications.
 - Weather proof, chemical resistant.
- Large opening allows for easy accessibility with gloved hands.
- Environmentally friendly-Lead free.
- Compliant with SEMI S8-0308 guideline.

Large opening makes it easier to use with gloves



Item No.	L	L ₁	L ₂	B	B ₁	B ₂	H	P	d	t	Door Thickness (mm)
HH-P118	118	93	90	58	47	25.5	21.5	104	M4	4	1~11
HH-P130	130	98	92	86	69	43.5	28.0	110	M5	5	1~11

Item No.	Weight (g)	Box (pcs)	Carton (pcs)
HH-P118	43	45	450
HH-P130	100	30	300

Material	Color
Polyvinyl Chloride (PVC)	Clear