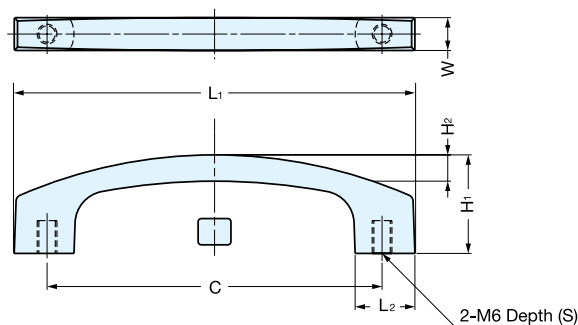


HANDLE



SAZ

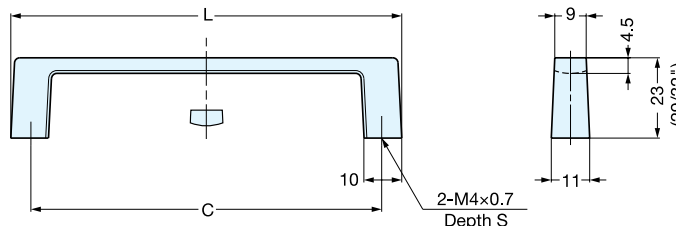


Item No.	L ₁	L ₂	C	S	W	H ₁	H ₂	Weight (g)	Box (pcs)	Carton (pcs)	Material	Finish
SAZ-121	121	17	102 (4-1/64")	9	10	27.7 (1-3/32")	5.2	85	40	400	Zinc Alloy	Chrome

HANDLE



936 SERIES

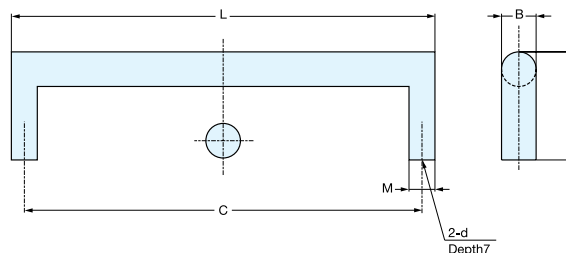


Item No.	L	C	S	Weight (g)	Box (pcs)	Carton (pcs)	Screw	Material	Finish
936-55-SCR	66.5	55.0 (2-11/64")	8	40	50	200	M4 × 25	Zinc Alloy	Satin Chrome (SCR)
936-100-DC	112.0	100.5 (3-61/64")	10	52			M4 × 28		Dull Chrome (DC)

HANDLE



KAKU-A



Item No.	L	H	B	C	M	D	Weight (g)	Box (pcs)	Carton (pcs)	Material	Finish
KAKU-A161	84 (3-5/16")	24	7	78 (3-1/16")	7	M3	46	35	420	Brass	Dull Chrome
KAKU-A160	99 (3-15/16")	25	8	92 (3-5/8")	8	M4	58	30	360		
KAKU-A159	124 (4-7/8")	29	9	113 (4-7/16")	11	M4	103	20	240		