

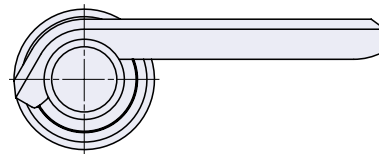
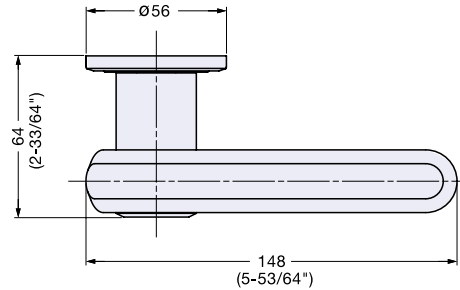
Zwei L Lever Handle

STAINLESS
316
STEEL

ZL-1103



- Non-handed.
- For use with mortise case locks, etc. (Not supplied).



Item No.	Material	Finish/Color	Weight (g)	Box (pcs)
ZL-1103	316 Stainless Steel	Zwei L	1751	1

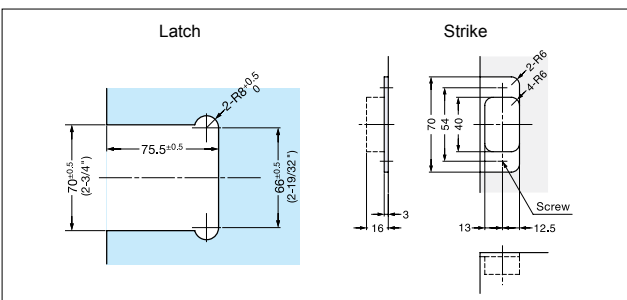
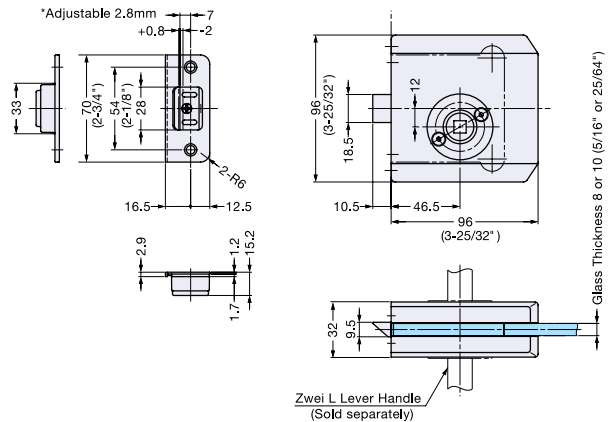
Zwei L Glass Door Latch

STAINLESS
316
STEEL

ZL-1601



- Lever handle not included.
- Can be used with ZL-1101, ZL-1102 and ZL-1103 lever handles.
- Includes strike.



ZL-1601-2 is shown.

Cut out Dimensions

Item No.	Material	Finish/Color	Handing	Weight (g)	Box (pcs)
ZL-1601-1	316 Stainless Steel	Zwei L	Right Hand Opening Away/Left Hand Opening Towards	970	1
ZL-1601-2			Left Hand Opening Away/Right Hand Opening Towards		